



CONSTANTLY INNOVATING AND EVOLVING

TUBES

Low carbon welded steel tubes for industrial and structural uses, welded by induction with 'state of the art technology', made from **SAE1010** and **SAE1020** steel, as well mechanical properties upon feasibility analysis.

Soufer welded steel tubes have a wide range of applications from the furniture industry, automotive, civil construction to agricultural and road implementations. They are made from cold rolled steel coils, hot rolled steel coils, and HDG steel coils with metalized welded beads.

Soufer is also capable of supplying tubes with the inner side burr free and "eddy current" (eletromag test non destructive), with standardized or customized lengths, always following the standards **ASTM-A513/DIN-2394**.

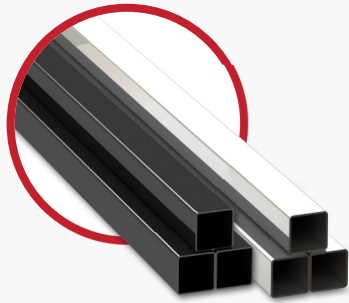
Diameter	Diameter	Steel Quality	CR	CR	CR	CR	CR	HR	HR	HR	HR	HR	HR	HR	HR	HR	
mm	inches	Thickness (mm)	0.90	1.06	1.20	1.50	1.90	2.00	2.25	2.65	3.00	3.35	3.75	4.25	4.75	6.30	
		Thickness (in)	0.0354	0.0417	0.0472	0.0591	0.0748	0.0787	0.0886	0.1043	0.1181	0.1319	0.1476	0.1673	0.1870	0.2480	
20x20	0.787x0.787	Parts (un)	270	270	234	198	165										
		Part Weight (lb)	6.9	8.13	9.1	11.3	14.1										
		Bundle Weight (lb)	1,875	2,194	2,140	2,236	2,320										
25x25	0.984x0.984	Parts (un)	256	225	196	156	121	110	110	90							
		Part Weight (lb)	8.7	10.2	11.5	14.3	17.9	18.7	20.9	25.2							
		Bundle Weight (lb)	2,239	2,305	2,263	2,229	2,161	2,061	2,300	2,264							
30x30	1.181x1.181	Parts (un)	224	195	168	132	108	108	90	80	72						
		Part Weight (lb)	10.5	12.4	13.9	17.3	21.7	22.7	25.4	30.6	34.4						
		Bundle Weight (lb)	2,362	2,411	2,343	2,283	2,340	2,456	2,287	2,452	2,473						
40x40	1.575x1.575	Parts (un)	132	132	120	99	80	72	72	56	56	48	42				
		Part Weight (lb)	14.1	16.6	18.7	23.3	29.3	30.7	34.4	41.6	46.8	51.9	57.6				
		Bundle Weight (lb)	1,867	2,192	2,250	2,306	2,341	2,213	2,477	2,331	2,620	2,489	2,417				
50x50	1.969x1.969	Parts (un)	132	110	90	72	63	56	56	48	42	35	30	30	25		
		Part Weight (lb)	17.7	20.8	23.5	29.3	36.9	38.7	43.4	52.6	59.2	65.7	73.1	82.1	91.0		
		Bundle Weight (lb)	2,342	2,293	2,119	2,109	2,322	2,169	2,431	2,525	2,487	2,301	2,193	2,464	2,276		
60x60	2.362x2.362	Parts (un)	100	90	72	63	49	49	42	36	36	30	25	25	20		
		Part Weight (lb)	21.3	25.1	28.3	35.3	44.5	46.7	52.4	63.6	71.6	79.6	88.6	99.8	110.7		
		Bundle Weight (lb)	2,135	2,258	2,041	2,223	2,179	2,290	2,201	2,289	2,579	2,388	2,216	2,494	2,214		
70x70	2.756x2.756	Parts (un)				56	42	30	30	30	30	25	25	20	20		
		Part Weight (lb)				41.3	52.1	54.7	61.4	74.6	84.1	93.5	104.2	117.4	130.4		
		Bundle Weight (lb)				2,312	2,187	1,642	1,842	2,237	2,522	2,337	2,604	2,347	2,608		
80x80	3.15x3.15	Parts (un)				49	36	36	30	30	25	20	20	16	16		
		Part Weight (lb)				47.3	59.7	62.7	70.4	82.6	93.2	103.7	119.7	135.0	150.1		
		Bundle Weight (lb)				2,317	2,148	2,259	2,112	2,478	2,329	2,073	2,394	2,159	2,401		
90x90	3.543x3.543	Parts (un)						30	30	25	20	20	16	16	16		
		Part Weight (lb)						70.7	79.4	96.5	108.9	121.2	135.2	152.6	169.8		
		Bundle Weight (lb)						2,122	2,382	2,413	2,178	2,425	2,164	2,441	2,716		
100x100	3.937x3.937	Parts (un)				25	25	20	20	20	20	16	16	16	16	9	
		Part Weight (lb)				59.3	74.9	78.7	88.4	103.8	117.2	130.5	150.8	170.2	189.4	248.1	
		Bundle Weight (lb)				1,482	1,872	1,575	1,768	2,076	2,343	2,087	2,412	2,723	3,031	2,233	
120x120	4.724x4.724	Parts (un)						16	16	16	16	16	9	9	9	9	
		Part Weight (lb)						94.7	106.4	125.0	141.2	157.3	175.6	205.4	228.8	300.3	
		Bundle Weight (lb)						1,516	1,703	2,000	2,259	2,516	1,580	1,849	2,059	2,702	

Diameter	Diameter		Steel Quality	CR	CR	CR	CR	CR	HR	HR	HR	HR	HR	HR	HR	HR	
mm	inches		Thickness (mm)	0.90	1.06	1.20	1.50	1.90	2.00	2.25	2.65	3.00	3.35	3.75	4.25	4.,75	
			Thickness (in)	0.0354	0.0417	0.0472	0.0591	0.0748	0.0787	0.0886	0.1043	0.1181	0.1319	0.1476	0.1673	0.1870	
22.22	0.875	7/8"	Parts (un)	331	271	271	217	169	169	127							
			Part Weight (lb)	6.0	7.1	7.9	9.8	12.2	12.7	14.2							
			Bundle Weight (lb)	2,000	1,914	2,153	2,124	2,055	2,153	1,797							
25.40	1.000	1"	Parts (un)	217	217	217	169	169	127	127							
			Part Weight (lb)	6.8	8.0	9.0	11.1	13.8	14.5	16.1							
			Bundle Weight (lb)	1,482	1,734	1,952	1,876	2,336	1,840	2,048							
26.90	1.059		Parts (un)	271	217	217	169	127	127	127	91	91	91				
			Part Weight (lb)	7.3	8.6	9.6	11.9	14.8	15.6	17.3	20.1	22.4	24.6				
			Bundle Weight (lb)	1,982	1,858	2,091	2,012	1,885	1,976	2,201	1,827	2,038	2,242				
31.75	1.250	1.1/4"	Parts (un)	217	217	169	127	127	127	91	91	91	91				
			Part Weight (lb)	8.7	10.2	11.5	14.3	17.9	18.7	20.9	24.3	27.2	30.0				
			Bundle Weight (lb)	1,898	2,223	1,951	1,815	2,269	2,380	1,902	2,210	2,472	2,727				
33.70	1.327		Parts (un)	217	217	169	127	91	91	91	91	91	91	91			
			Part Weight (lb)	9.2	10.8	12.2	15.1	18.9	19.8	22.1	25.7	28.7	31.7	35.0			
			Bundle Weight (lb)	1,999	2,343	2,057	1,914	1,715	1,800	2,009	2,336	2,614	2,885	3,187			
34.92	1.375	1.3/8"	Parts (un)	217	217	169	127	127	91	91	91	91	91	91			
			Part Weight (lb)	9.6	11,3	12.7	15.8	19.8	20.7	23.2	26.9	30.2	33.3	36.8			
			Bundle Weight (lb)	2,093	2,453	2,154	2,005	2,510	1,887	2,107	2,451	2,745	3,031	3,350			
38.10	1.500	1.1/2"	Parts (un)	169	169	169	127	91	91	91	61	61	61	61			
			Part Weight (lb)	10.5	12.4	13.9	17.3	21.7	22.7	25.4	29.6	33.2	36.7	40.6			
			Bundle Weight (lb)	1,782	2,090	2,357	2,196	1,971	2,069	2,312	1,805	2,023	2,237	2,475			
41.27	1.625		Parts (un)	127	127	127	127	91	91	91							
			Part Weight (lb)	11.4	13.4	15.1	18.8	23.6	24.7	27.7							
			Bundle Weight (lb)	1,453	1,705	1,923	2,386	2,144	2,251	2,516							
42.40	1.669		Parts (un)	127	127	127	127	91	91	91	61	61	61	61			
			Part Weight (lb)	11.7	13.7	15.5	19.2	24.1	25.3	28.3	33.0	37.0	41.0	45.4			
			Bundle Weight (lb)	1,487	1,744	1,968	2,442	2,195	2,304	2,576	2,014	2,259	2,501	2,770			

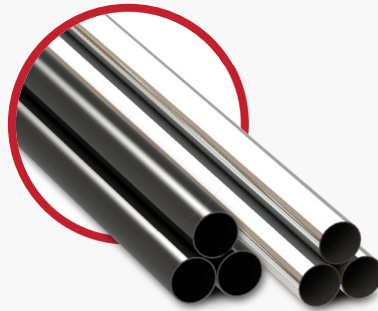
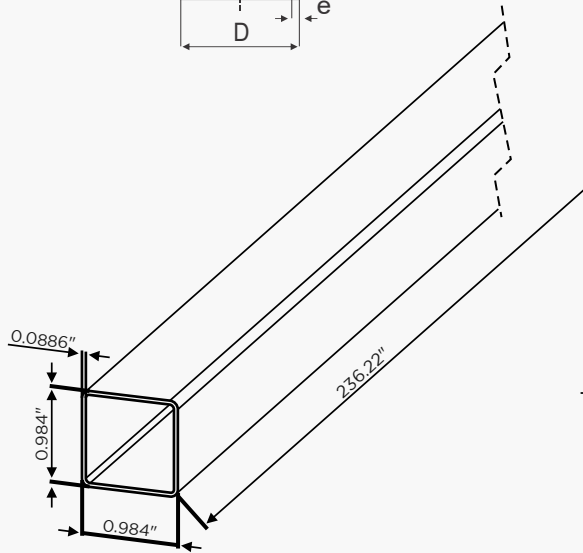
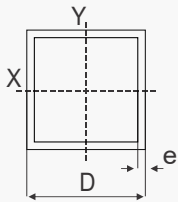
Diameter	Diameter		Steel Quality	CR	CR	CR	CR	CR	HR	HR	HR	HR	HR	HR	HR	HR
mm	inches		Thickness (mm)	0.90	1.06	1.20	1.50	1.90	2.00	2.25	2.65	3.00	3.35	3.75	4.25	4.75
			Thickness (in)	0.0354	0.0417	0.0472	0.0591	0.0748	0.0787	0.0886	0.1043	0.1181	0.1319	0.1476	0.1673	0.1870
44.45	1.750	1.3/4"	Parts (un)	127	127	127	127	91	61	61	61	61	61	37		
			Part Weight (lb)	12.5	14.7	16.6	20.6	25.8	27.1	30.3	35.3	39.7	43.9	48.7		
			Bundle Weight (lb)	1,588	1,863	2,102	2,610	2,347	1,652	1,848	2,156	2,421	2,681	1,803		
48.30	1.902		Parts (un)	127	127	127	91	91	61	61	61	61	37	37		
			Part Weight (lb)	13.4	15.8	17.8	22.1	27.8	29.2	32.6	38.1	42.8	47.4	52.6		
			Bundle Weight (lb)	1,706	2,003	2,261	2,012	2,527	1,779	1,991	2,324	2,611	1,755	1,947		
50.58	2.000	2"	Parts (un)	91	91	91	91	91	91	61	61	61	37	37		
			Part Weight (lb)	14.1	16.6	18.7	23.3	29.3	30.7	34.4	40.2	45.2	50.1	55.6		
			Bundle Weight (lb)	1,287	1,511	1,706	2,120	2,663	2,797	2,099	2,452	2,755	1,852	2,056		
60.30	2.374		Parts (un)	61	61	61	61	61	61	61	61	37	37	37	37	37
			Part Weight (lb)	16,8	19,8	22,3	27,8	34,9	36,7	41,1	48,1	54,1	60,1	66,8	75,0	83,1
			Bundle Weight (lb)	1,027	1,206	1,363	1,695	2,132	2,240	2,509	2,935	2,003	2,223	2,471	2,776	3,075
63.50	2.500	2.1/2"	Parts (un)	61	61	61	61	61	61	61	37	37	37	37	37	37
			Part Weight (lb)	17.7	20.8	23.5	29.3	36.9	38.7	43.4	50.8	57.2	63.5	70.6	79.3	87.9
			Bundle Weight (lb)	1,082	1,272	1,436	1,787	2,249	2,363	2,648	1,879	2,115	2,348	2,611	2,935	3,252
76.20	3.000	3"	Parts (un)	37	37	37	37	37	37	37	37	37	37	19	19	19
			Part Weight (lb)	21.3	25.1	28.3	35.3	44.5	46.7	52.4	61.4	69.2	76.9	85.6	96.3	106.9
			Bundle Weight (lb)	790	928	1,049	1,306	1,645	1,729	1,939	2,271	2,559	2,844	1,626	1,830	2,031
88.90	3.500	3.1/2"	Parts (un)			37	37	37	37	37	37	19	19	19	19	19
			Part Weight (lb)			33.1	41.3	52.1	54.7	61.4	72.0	81.2	90.3	100.6	113.3	125.9
			Bundle Weight (lb)			1,226	1,528	1,926	2,025	2,272	2,664	1,542	1,715	1,911	2,153	2,392
101.60	4.000	4"	Parts (un)				19	19	19	19	19	19	19	19	19	19
			Part Weight (lb)				47.3	59.7	62.7	70.4	82.6	93.2	103.7	115.6	130.3	144.9
			Bundle Weight (lb)				899	1,134	1,192	1,338	1,569	1,770	1,970	2,196	2,476	2,753
114.30	4.500	4.1/2"	Parts (un)						19	19	19	19	19	19	19	
			Part Weight (lb)						70.7	79.4	93.2	105.2	117.1	130.6	147.3	163.9
			Bundle Weight (lb)						1,344	1,509	1,771	1,998	2,224	2,481	2,799	3,114
127.00	5.000	5"	Parts (un)						19	19	19	19	19	19	19	
			Part Weight (lb)						78.7	88.4	103.81	17.2	130.5	145.6	164.3	182.9
			Bundle Weight (lb)						1,496	1,680	1,972	2,226	2,479	2,766	3,122	3,475

Diameter	Diameter	Steel Quality	CR	CR	CR	CR	CR	HR	HR	HR	HR	HR	HR	HR	HR	HR	
mm	inches	Thickness (mm)	0.90	1.06	1.20	1.50	1.90	2.00	2.25	2.65	3.00	3.35	3.75	4.25	4.75	6.30	
		Thickness (in)	0.0354	0.0417	0.0472	0.0591	0.0748	0.0787	0.0886	0.1043	0.1181	0.1319	0.1476	0.1673	0.1870	0.2480	
30x20	1.181x0.787	Parts (un)	195	195	195	168	130	130	110	99							
		Part Weight (lb)	8.7	10.25	11.5	14.3	17.9	18.7	20.9	24.3							
		Bundle Weight (lb)	1,705	1,998	2,252	2,401	2,322	2,436	2,300	2,405							
40x20	1.575x0.787	Parts (un)	153	153	153	135	112	112	84	84							
		Part Weight (lb)	10.5	12.4	13.9	17.3	21.7	22.7	25.4	29.6							
		Bundle Weight (lb)	1,613	1,892	2,134	2,334	2,426	2,547	2,134	2,485							
40x30	1.575x1.181	Parts (un)	154	154	132	110	90	90	80	63	63						
		Part Weight (lb)	12.3	14.5	16.3	20.3	25.5	26.7	29.9	34.9	39.2						
		Bundle Weight (lb)	1,901	2,231	2,158	2,232	2,292	2,407	2,392	2,198	2,467						
50x30	1.969x1.181	Parts (un)	108	108	108	96	80	77	70	60	48	48	42				
		Part Weight (lb)	14.1	16.6	18.7	23.3	29.3	30.7	34.4	40.2	45.2	50.1	55.6				
		Bundle Weight (lb)	1,528	1,793	2,025	2,236	2,341	2,367	2,408	2,411	2,168	2,403	2,334				
50x40	1.969x1.575	Parts (un)	120	120	110	99	64	64	56	49	42	42	36				
		Part Weight (lb)	15.9	18.7	21.1	26.3	33.1	34.7	38.9	45.5	51.2	56.8	63.1				
		Bundle Weight (lb)	1,913	2,247	2,326	2,603	2,116	2,223	2,179	2,229	2,149	2,384	2,271				
60x30	2.362x1.181	Parts (un)	120	112	112	91	66	66	60	48	45	40	35				
		Part Weight (lb)	15.9	18.7	21.1	26.3	33.1	34.7	38.9	45.5	51.2	56.8	63.1				
		Bundle Weight (lb)	1,913	2,097	2,368	2,393	2,182	2,293	2,334	2,183	2,302	2,271	2,208				
60x40	2.362x1.575	Parts (un)	99	99	99	80	63	63	54	48	42	35	35				
		Part Weight (lb)	17.7	20.8	23.5	29.3	36.9	38.7	43.4	50.8	57.2	63.5	70.6				
		Bundle Weight (lb)	1,757	2,064	2,331	2,343	2,322	2,441	2,344	2,438	2,401	2,221	2,470				
70x30	2.756x1.181	Parts (un)	98	98	98	84	63	63	56	42	42	36	36				
		Part Weight (lb)	17.7	20.8	23.5	29.3	36.9	38.7	43.4	50.8	57.2	63.5	70.6				
		Bundle Weight (lb)	1,739	2,043	2,308	2,461	2,322	2,441	2,431	2,33	2,401	2,285	2,541				
70x50	2.756x1.969	Parts (un)	88	88	80	64	49	49	42	36	36	30	25	25			
		Part Weight (lb)	21.3	25.1	28.3	35.3	44.5	46.7	52.4	61.4	69.2	76.9	85.6	96.3			
		Bundle Weight (lb)	1,878	2,208	2,268	2,259	2,179	2,290	2,201	2,210	2,490	2,306	2,139	2,408			
80x40	3.15x1.575	Parts (un)	84	84	84	66	54	50	45	40	35	30	25	24			
		Part Weight (lb)	21.3	25.1	28.3	35.3	44.5	46.7	52.4	61.4	69.2	76.9	85.6	96.3			
		Bundle Weight (lb)	1,793	2,107	2,381	2,329	2,401	2,337	2,358	2,456	2,421	2,306	2,139	2,312			

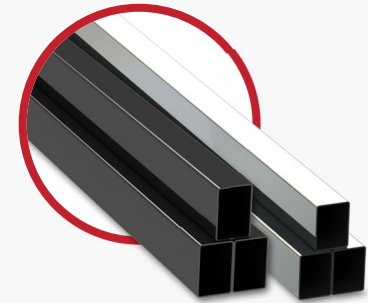
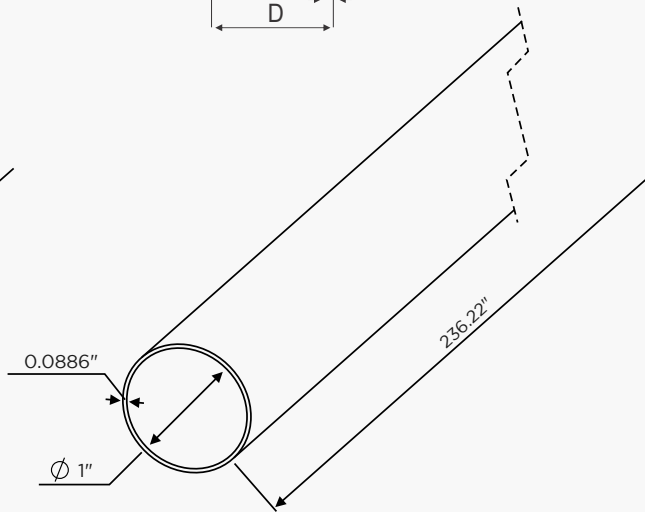
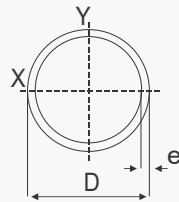
Diameter	Diameter	Steel Quality	CR	CR	CR	CR	CR	HR	HR	HR	HR	HR	HR	HR	HR	HR
mm	inches	Thickness (mm)	0.90	1.06	1.20	1.50	1.90	2.00	2.25	2.65	3,00	3.35	3.75	4.25	4.75	6.30
		Thickness (in)	0.0354	0.0417	0.0472	0.0591	0.0748	0.0787	0.0886	0.1043	0,1181	0.1319	0.1476	0.1673	0.1870	0.2480
80x60	3.15x2.362	Parts (un)				56	42	42	36	30	30	25	25	20		
		Part Weight (lb)				41.3	52.1	54.7	61.4	72.0	81.2	90.3	100.6	113.3		
		Bundle Weight (lb)				2,312	2,187	2,299	2,211	2,160	2,435	2,257	2,514	2,266		
90x50	3.543x1.969	Parts (un)				42	36	36	36	30	28	24	24	20		
		Part Weight (lb)				41.3	52.1	54.7	61.4	72,0	81,2	90,3	100,6	113.3		
		Bundle Weight (lb)				1,734	1,874	1,971	2,211	2,160	2,273	2,166	2,414	2,266		
100x40	3.937x1.575	Parts (un)				55	45	45	36	32	28	24	24	20		
		Part Weight (lb)				41.3	52.1	54.7	61.4	72.0	81.2	90.3	100.6	113.3		
		Bundle Weight (lb)				2,271	2,343	2,463	2,211	2,304	2,273	2,166	2,414	2,266		
100x50	3.937x1.969	Parts (un)				48	40	40	35	28	28	24	20	20	20	20
		Part Weight (lb)				44.3	55.9	58.7	65.9	77.3	87.2	97.0	108.1	121.8	135.4	176.5
		Bundle Weight (lb)				2,126	2,235	2,350	2,307	2,164	2,441	2,327	2,161	2,436	2,708	3,530
100x60	3.937x2.362	Parts (un)				48	40	40	35	30	25	25	20	16	16	16
		Part Weight (lb)				47.3	59.7	62.7	70.4	82.6	93.2	103.7	115.6	130.3	144.9	189.1
		Bundle Weight (lb)				2,270	2,387	2,510	2,464	2,478	2,329	2,592	2,311	2,085	2,318	3,026
100x80	3.937x3.15	Parts (un)						30	30	25	25	20	20	16	16	16
		Part Weight (lb)						70.7	79.4	93.2	105.2	117.1	130.6	147.3	163.9	214.3
		Bundle Weight (lb)						2,122	2,382	2,330	2,629	2,341	2,611	2,357	2,622	3,429
120x60	4.724x2.362	Parts (un)						28	28	24	24	20	20	16	16	16
		Part Weight (lb)						70.7	79.4	93.2	105.2	117.1	130.6	152.6	169.,8	222.0
		Bundle Weight (lb)						1,981	2,223	2,237	2,524	2,341	2,611	2,357	2,622	3,429
120x80	4.724x3.15	Parts (un)						30	24	24	20	20	16	16	16	16
		Part Weight (lb)						78.7	88.4	103.8	117.2	130.5	145.6	164.3	182.9	239.5
		Bundle Weight (lb)						2,362	2,122	2,491	2,343	2,609	2,329	2,629	2,926	3,832
150x50	5.906x1.969	Parts (un)				27	27	24	24	24	21	18	18	15	15	
		Part Weight (lb)				59.3	74.9	78.7	88.4	103.8	117.2	130.5	145.6	164.3	182.9	
		Bundle Weight (lb)				1,601	2,021	1,890	2,122	2,491	2,461	2,348	2,620	2,465	2,743	



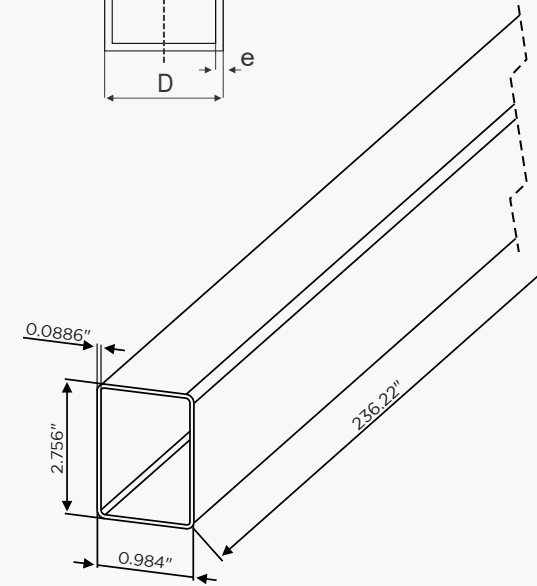
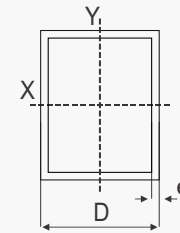
- SQUARE TUBES



- ROUND TUBES



- RECTANGULAR TUBES



GLOBAL CONTACT

Soufer Industrial Matriz

São João da Boa Vista, SP

Soufer Industrial - MG

Cambuí, MG

Soufer Industrial - RJ

Pinheiral, RJ

Soufer Industrial - SSM

São João da Boa Vista, SP

Rodo Steel

São João da Boa Vista, SP

MMS Steel

Portugal

Metalgalva Brasil

Cambuí, MG

Metalgalva Brasil

Cambuí, MG

Concord

North Carolina, USA

+1 980-866-4666

info@soufergroup.com



soufergroup.com



info@soufergroup.com



@gruposoufer



USA Sales Office: +1 980-866-4666

